

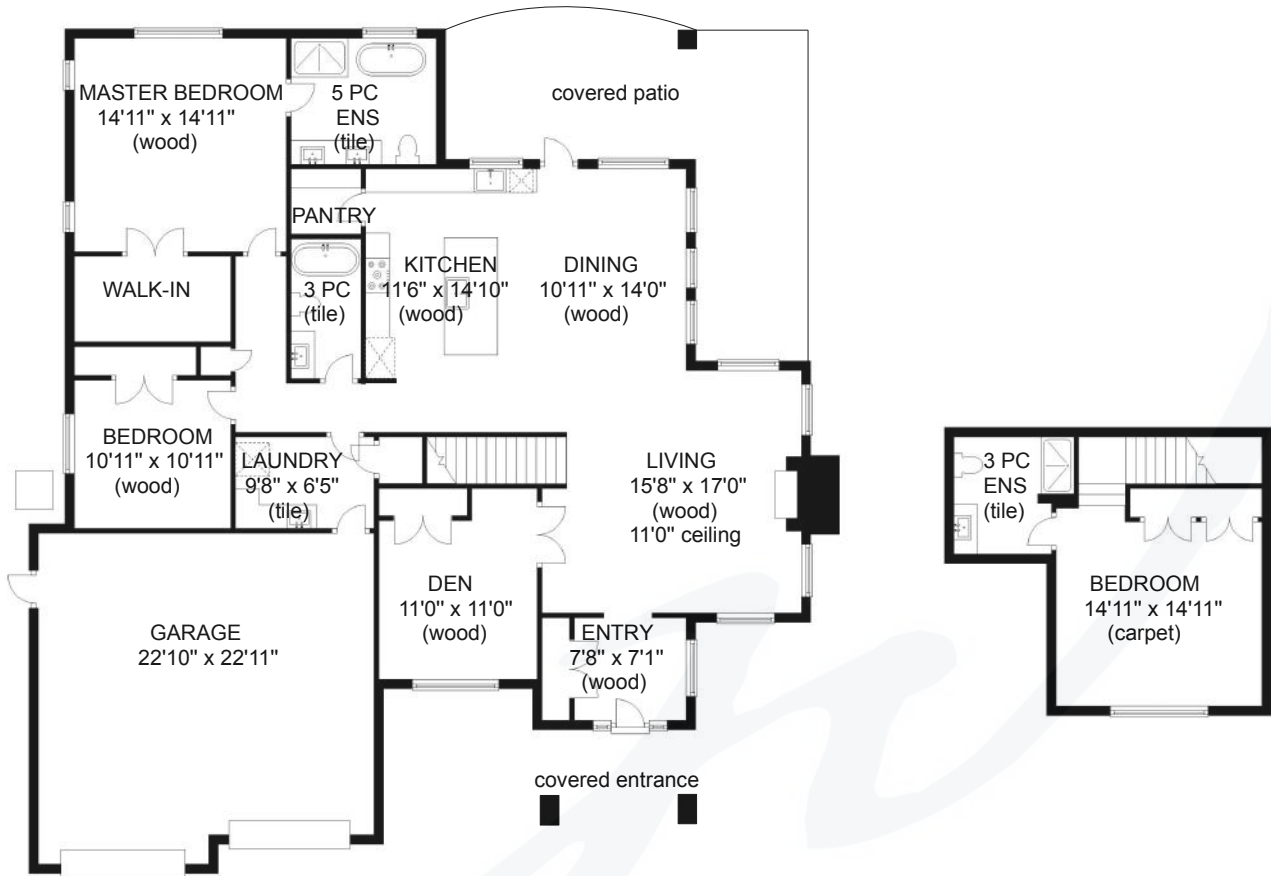
124 – 1290 CROWN ISLE DRIVE

MAIN 1792 sq ft

General ceiling height 9'0"

UPPER 365 sq ft

General ceiling height 8'0"



	FINISHED SQ FT	UNFINISHED SQ FT	TOTAL SQ FT
UPPER	365	0	365
MAIN	1792	0	1792
TOTAL	2157	0	2157
GARAGE	0	535	535



jane DENHAM
PERSONAL REAL ESTATE CORPORATION

HC FLOOR PLANS
250-897-3349

Prepared for the exclusive use of Jane Denham
RE/MAX Ocean Pacific Realty
250-898-1220

Measurements on the plans are intended for visual reference purposes only and should be verified